

**Product: CHAIR HIGH BACKREST**

The different types of *Level*, its extreme versatility and its good price make it particularly suitable for offices with a high number of workstations. Comfortable, strong and conforming to European standards, *Level* is the ideal solution for any office with a high density of workers.

The office chair is by rights one of the furnishing elements that contribute to a stress-free and non-tiring work system. *Level* presents these concepts in the field, with simplicity and efficiency.

**TECHNICAL FEATURES**

**Backrest structure:** internal structure made of nylon padded with Class 1 fire-retardant, indeformable 27 kg/mc density Polyurethane foam. Polypropylene visible outer shell with incorporated coat hook.

**Seat:** internal structure made of metal-reinforced nylon padded with Class 1 fire-retardant, indeformable 28 kg/mc density Polyurethane foam. Polypropylene visible outer shell with incorporated coat hook.

**Base:** Ø 66 cm in black nylon reinforced with metal ring. The self-braking swivel castors can be in soft rubber or hard plastic, according to the type of flooring. Also available with claps.

**Armrests (optional):**  
**"T" shaped, height adjustable**, with support in black painted or chromed Steel and with Polypropylene coating;  
**Closed**, in Polyamide, totally recyclable as UNI standards.

**MECHANISMS**

**Syncro:** this allows for adjustment of the angle between the seat and the back, with shockproof lock in 5 different positions. Lumbar support is adjustable in height using the up&down mechanism.

**FINISHES**

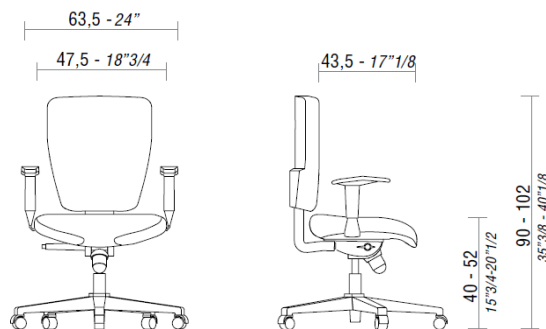
**Upholstery:** Smart Office - Fabric cat. B, F, G, L.  
**Base:** Black nylon.

**CERTIFICATIONS**

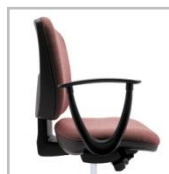
The LEVEL chair has exceeded the strictest tests and offers full guarantees on the quality of used materials. LEVEL has obtained the conformity attestation for video terminal seating and meets UNI EN 1335:2000 type A.

**In conformity to:**

- UNI EN 1335-1 – UNI EN 1335-2 – UNI EN 1335-3 Safety, stability, strength and durability for office chair – TYPE A
- UNI EN 1022 Stability of setting
- UNI 9083 Drop test of chairs and stools
- UNI 9084 Mechanical strength and durability
- UNI 8591 Swivel test durability
- UNI 9175 Fire resistance – Certification – Class 1IM



*LEVEL, chair with high backrest and armrests.*



**Product: CHAIR LOW BACKREST**

The different types of *Level*, its extreme versatility and its good price make it particularly suitable for offices with a high number of workstations. Comfortable, strong and conforming to European standards, *Level* is the ideal solution for any office with a high density of workers.

The office chair is by rights one of the furnishing elements that contribute to a stress-free and non-tiring work system. *Level* presents these concepts in the field, with simplicity and efficiency.

**TECHNICAL FEATURES**

**Backrest structure:** internal structure made of nylon padded with Class 1 fire-retardant, indeformable 27 kg/mc density Polyurethane foam. Polypropylene visible outer shell with incorporated coat hook.

**Seat:** internal structure made of metal-reinforced nylon padded with Class 1 fire-retardant, indeformable 28 kg/mc density Polyurethane foam. Polypropylene visible outer shell with incorporated coat hook.

**Base:** Ø 66 cm in black nylon reinforced with metal ring.

The self-braking swivel castors can be in soft rubber or hard plastic, according to the type of flooring. Also available with claps.

**Armrests (optional):**

**“T” shaped, height adjustable**, with support in black painted or chromed Steel and with Polypropylene coating;

**Closed**, in Polyamide, totally recyclable as UNI standards.

**MECHANISMS**

**Syncro:** this allows for adjustment of the angle between the seat and the back, with shockproof lock in 5 different positions.

Lumbar support is adjustable in height using the up&down mechanism.

**FINISHES**

**Upholstery:** Smart Office - Fabric cat. B, F, G, L.

**Base:** Black nylon.

**CERTIFICATIONS**

The LEVEL chair has exceeded the strictest tests and offers full guarantees on the quality of used materials. LEVEL has obtained the conformity attestation for video terminal seating and meets UNI EN 1335:2000 type A.

**In conformity to:**

UNI EN 1335-1 – UNI EN 1335-2 – UNI EN 1335-3 Safety, stability, strength and durability for office chair – TYPE A

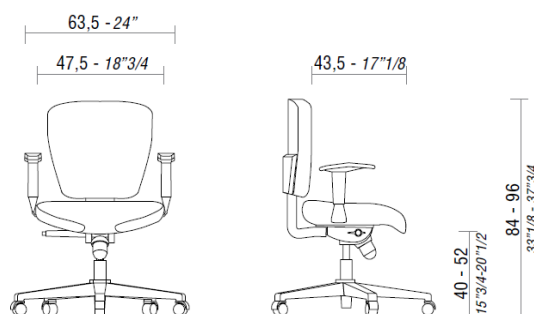
UNI EN 1022 Stability of setting

UNI 9083 Drop test of chairs and stools

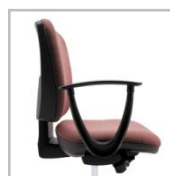
UNI 9084 Mechanical strength and durability

UNI 8591 Swivel test durability

UNI 9175 Fire resistance – Certification – Class 1IM



LEVEL, chair with low backrest with armrests.



**Product: CHAIR ON SLED**

The different types of *Level*, its extreme versatility and its good price make it particularly suitable for offices with a high number of workstations. Comfortable, strong and conforming to European standards, *Level* is the ideal solution for any office with a high density of workers.

The office chair is by rights one of the furnishing elements that contribute to a stress-free and non-tiring work system. *Level* presents these concepts in the field, with simplicity and efficiency.

**TECHNICAL FEATURES**

**Backrest structure:** internal structure made of nylon padded with Class 1 fire-retardant, indeformable 27 kg/mc density Polyurethane foam. Polypropylene visible outer shell with incorporated coat hook.

**Seat:** Internal structure made of metal-reinforced nylon padded with Class 1 fire-retardant, indeformable 28 kg/mc density Polyurethane foam. Polypropylene visible outer shell with incorporated coat hook.

**Armrests (optional):**

**"T" shaped, height adjustable**, with support in black painted or chromed Steel and with Polypropylene coating;  
**Closed**, in polyamide, totally recyclable as UNI standards.

**Frame:** 25 mm diameter 2 mm thick painted Steel tubular frame painted with black PE spherical-head, ribbed caps.

**Adjustements:** lumbar support is adjustable in height using the up&down mechanism.

**FINISHES**

**Upholstery:** Smart Office - Fabric cat. B, F, G, L.

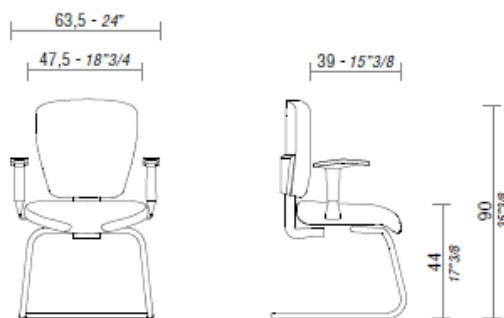
**Frame:** Black powder coated Steel.

**CERTIFICATIONS**

The LEVEL chair has exceeded the strictest tests and offers full guarantees on the quality of used materials. LEVEL has obtained the conformity attestation to the laws in force for waiting chairs.

**In conformity to:**

- UNI EN 1022 Stability of seating
- UNI EN 13761 Dimensions and safety for visitor chairs
- UNI EN 1728 Mechanical strength and durability
- UNI 9175 Fire resistance – Certification – Class 1IM



*LEVEL, cantilever with low backrest.*



**Product: 4 LEGS CHAIR**

The different types of *Level*, its extreme versatility and its good price make it particularly suitable for offices with a high number of workstations. Comfortable, strong and conforming to European standards, *Level* is the ideal solution for any office with a high density of workers.

The office chair is by rights one of the furnishing elements that contribute to a stress-free and non-tiring work system. *Level* presents these concepts in the field, with simplicity and efficiency.

**TECHNICAL FEATURES**

**Backrest structure:** internal structure made of nylon padded with Class 1 fire-retardant, indeformable 27 kg/mc density Polyurethane foam. Polypropylene visible outer shell with incorporated coat hook.

**Seat:** Internal structure made of metal-reinforced nylon padded with Class 1 fire-retardant, indeformable 28 kg/mc density Polyurethane foam. Polypropylene visible outer shell with incorporated coat hook.

**Armrests (optional):**

**"T" shaped, height adjustable**, with support in black painted or chromed Steel and with Polypropylene coating;  
**Closed**, in polyamide, totally recyclable as UNI standards.

**Base:** 25 mm diameter 2 mm thick painted Steel tubular frame painted with black PE spherical-head, ribbed caps.

**Adjustements:** lumbar support is adjustable in height using the up&down mechanism.

**FINISHES**

**Upholstery:** Smart Office - Fabric cat. B, F, G, L.

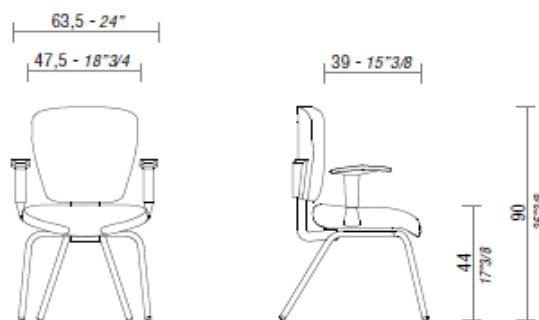
**Base:** Black powder coated Steel.

**CERTIFICATIONS**

The LEVEL chair has exceeded the strictest tests and offers full guarantees on the quality of used materials. LEVEL has obtained the conformity attestation to the laws in force for waiting chairs.

**In conformity to:**

- UNI EN 1022 Stability of seating
- UNI EN 13761 Dimensions and safety for visitor chairs
- UNI EN 1728 Mechanical strength and durability
- UNI 9175 Fire resistance – Certification – Class 1IM



*LEVEL, chair with 4 legs, low backrest and armrests.*

